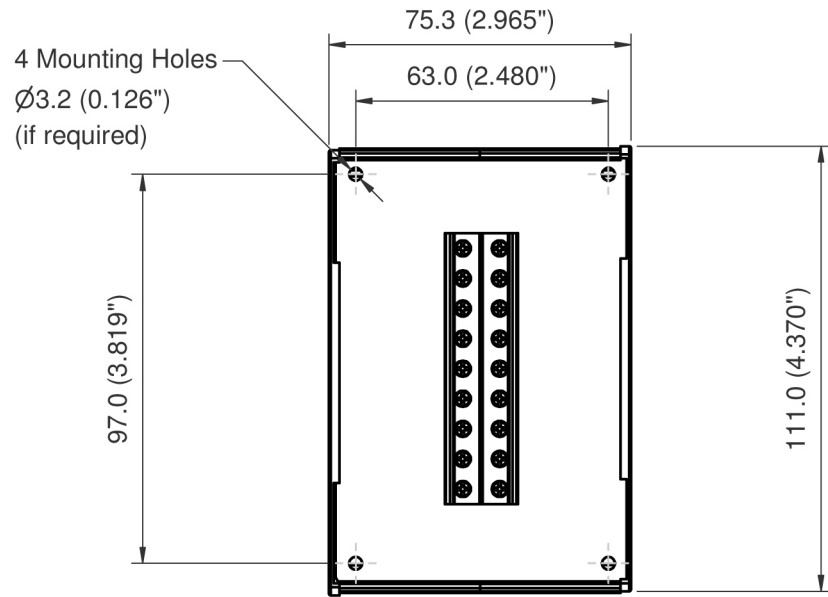
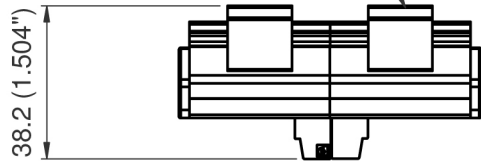


Installation Dimensions



Feet to clip onto 35mm
 (1.378") standard DIN Rail



SPOT

INSTALLATION GUIDE

PUBLICATION N° 809136

LANGUAGE: ENGLISH



ANALOGUE CONNECTION PCB

Land Instruments International
 Dronfield, S18 1DJ
 England
 Telephone: +44 (0) 1246 417691
 Facsimile: +44 (0) 1246 410585
 Email: land.infrared@ametek.co.uk
 Internet: www.landinst.com

AMETEK Land, Inc.
 150 Freeport Road
 Pittsburgh PA 15238 U.S.A.
 Telephone: (412) 826-4444
 Facsimile: (412) 826-4460
 Email: irsales@ametek.com
 Internet: www.ametek-land.com

LAND
AMETEK
 PROCESS & ANALYTICAL INSTRUMENTS



QUALITY CUSTOMER SOLUTIONS

Installation Instructions

The Analogue Connection PCB provides electrical terminal connections for an Analogue Cable connected to a Land SPOT Thermometer.

There are three lengths of analogue output cable available as standard:

- 5 m / 16 ft Part N° 807950
- 20 m / 66 ft Part N° 807951
- 50 m / 328 ft Part N° 807952

You can use the connection PCB to access the required analogue outputs from the SPOT Thermometer.

The Analogue Connection PCB is designed to be fitted to a standard 35mm DIN rail.

- 1) Choose a mounting location for the Analogue Connection PCB so that the analogue cable can be routed securely and safely from the thermometer to the PCB.
- 2) Refer to **Electrical Connections** (Fig. 1). Connect the free ends of the Analogue Cable to the Instrument Connections terminals on the PCB. Make sure to match the wire colour to the appropriate terminal.
- 3) You can now use the Control Room Connections terminals to connect to the required analogue outputs from the SPOT Thermometer. Refer to Fig. 1 and the terminal labels on the PCB to identify which analogue outputs are available.

Key to Control Room Connections

- 1 DC Power 24V (18 to 30V).
- 2 Current output, configurable as 0 to 20mA or 4 to 20mA with associated temperature range.
- 3 Relay used for instrument CMD Out, configurable as Normally Open (NO) or Normally Closed (NC). This output can be used as a switch in circuits up to 50V.
- 4 24V DC input used for instrument CMD In, configurable as NO/NC.

Each of the above outputs can be configured on the SPOT instrument back panel, on the Webserver, or in the Viewer software.

Installation Dimensions

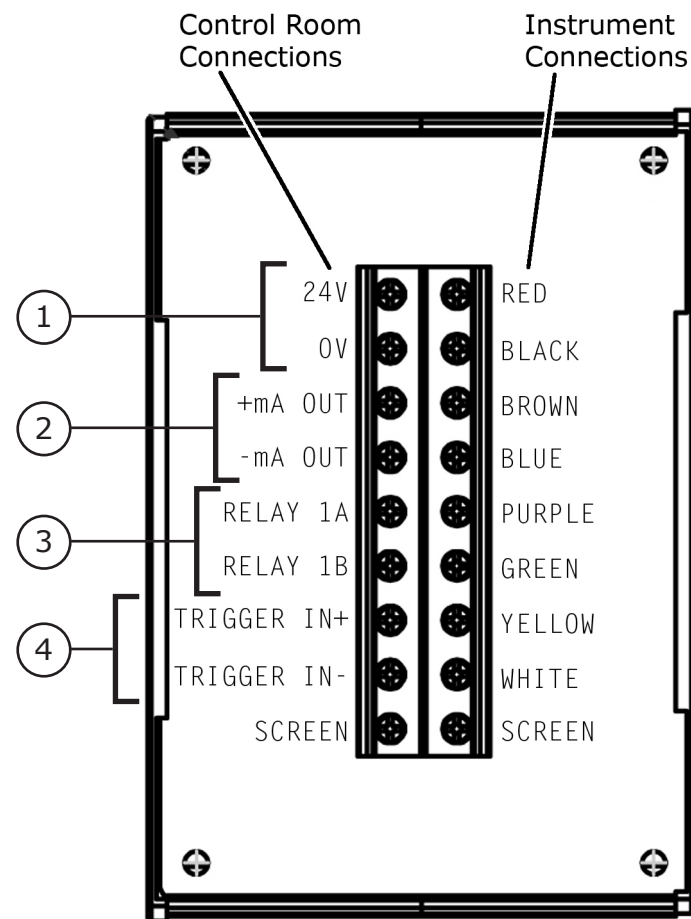


Fig. 1