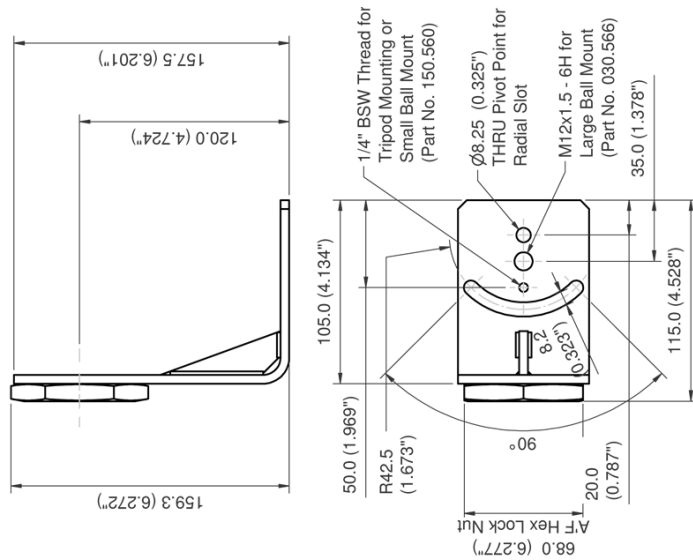
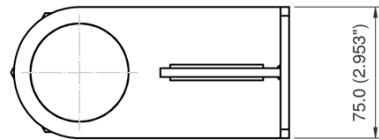
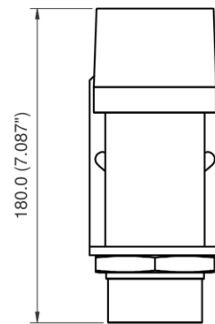
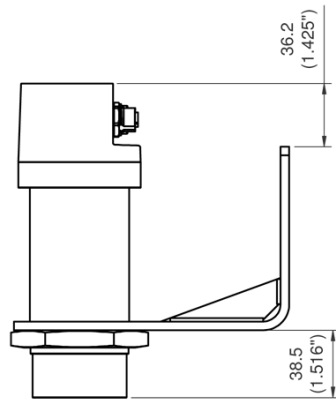


Installation Dimensions

1. Slide instrument through mounting bracket until body touches back of bracket.
2. Lock in position using lock nut, ensuring cable exit points are vertical to the viewing plane (otherwise the view through the camera will be skewed).



SPOT

INSTALLATION GUIDE

PUBLICATION N° 808272

LANGUAGE: ENGLISH

MOUNTING BRACKET



Land Instruments International
Dronfield, S18 1DJ
England
Telephone: +44 (0) 1246 417691
Facsimile: +44 (0) 1246 410585
Email: land.infrared@ametek.co.uk
Internet: www.landinst.com

AMETEK Land, Inc.
150 Freeport Road
Pittsburgh PA 15238 U.S.A.
Telephone: (412) 826-4444
Facsimile: (412) 826-4460
Email: irsales@ametek.com
Internet: www.ametek-land.com

LAND
AMETEK
PROCESS & ANALYTICAL INSTRUMENTS



QUALITY CUSTOMER SOLUTIONS

Installation Instructions

- 1) Refer to the **Installation Dimensions** diagram. Choose a mounting location for the bracket and secure it in place via one of the mounting options available.
- 2) Refer to Fig. 1. The Thermometer is secured in the Mounting Bracket via a Lock Nut.

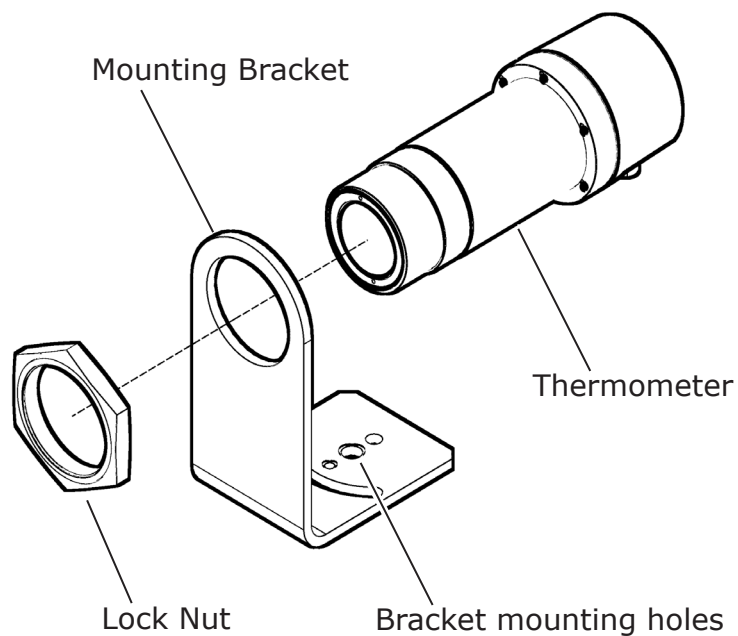


Fig. 1

- 3) Refer to Fig. 2. Insert the Thermometer into the Mounting Bracket.

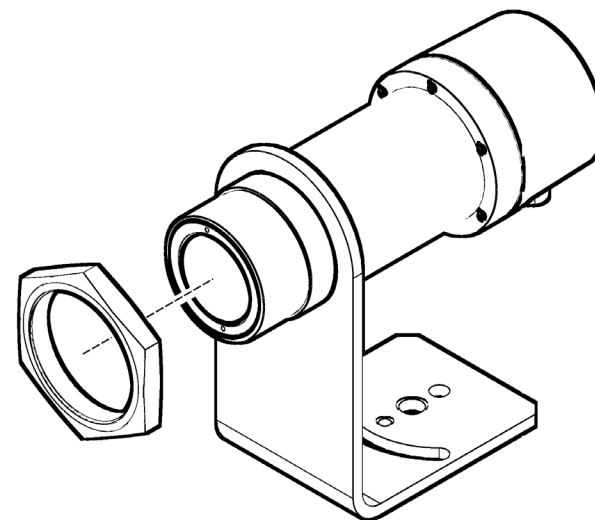


Fig. 2

- 4) Refer to Fig. 3. Thread the Lock Nut on to the front of the Thermometer and tighten the nut until the Thermometer is held securely in the Mounting Bracket. The installation is now complete.

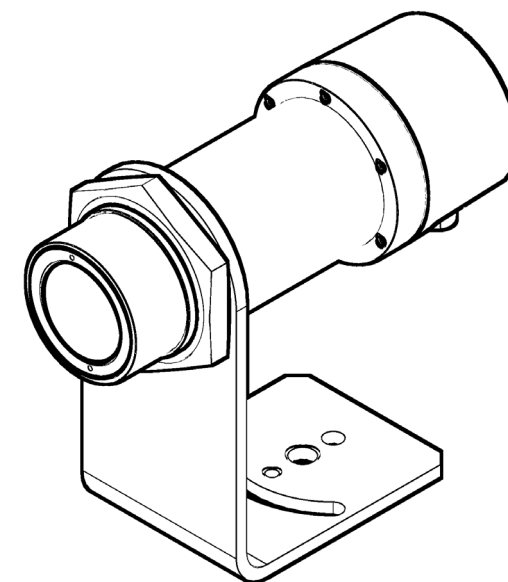


Fig. 3